



ZHEJIANG HANGCHA IMP. & EXP. CO., LTD.

Factory site: No. 88, Donghuan Rd., Lin'an Economic Development Zone, Zhejiang, China (311305)

Tel: +86-571-88926735 88926755
Fax: +86-571-88132890 88926789

sales@hcforklift.com
www.hcforklift.com



2017 VERSION 3/COPYRIGHT 2017/07



HANGCHA GROUP CO., LTD. reserves the right to make any changes without notice concerning colors, equipment, or specifications detailed in this brochure, or to discontinue individual models. The colors of trucks, delivered may differ slightly from those in brochures.



XF Series Diesel / Gasoline / LPG Counterbalanced Trucks

with capacities of 4,000 to 5,500kg

The World of Hangcha





**Simple/
Solid/
Smart**

Reliability

By focusing on enhancing reliability, reducing downtime, the XF series is able to make the greater productivity for customer.

XF series truck just equip with Okamura transmission. Brake drum and hub adopt monolithic construction.



XF series features rugged design, stamped frame and engine hood, stamped instrument panel and head guard, heavy profile rail mast combine to provide excellent rigidity, which ensures outstanding reliability even in heavy-duty work.

Extra capacity combined radiator with serpentine wave and optimized heat dissipation channel enhance the heat dissipation capability to keep engine reliability even in heavy-duty applications.



Bigger diameter of steering cylinder.

Productivity

Dynamic load sensing hydraulic steering system, Efficiency lighting system, lower fuel consumption, combine to provide increased productivity and reduced operating costs.



The new Dynamic load sensing hydraulic steering system contributes to reduce loss of hydraulic and improve energy efficiency.



The new efficiency lighting system employs LED illuminant and new type reflector to reduce energy consumption, improve significantly illumination performance and prolong work time.

Environmental Friendliness

A lineup of powerful and clean engines and environment friendly materials help to reduce the output of undesirable substances over the lifetime of the truck, while creating a cleaner work environment.

Each model employs a specially developed engine for the optimum balance of power and superior environmental performance. CUMMINS engine QSF2.8T4F is in compliance with EU stage-IIIB control regulation.



The exhaust treatment DOC ensure the exhaust satisfy with Europe 3B and USA T4F , it also with good noise reduction , maintenance is minimal.

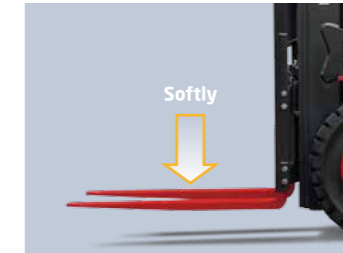
Comfortable Operation

Optimal visibility in all directions create the best conditions for high productivity through relaxed and safe working.

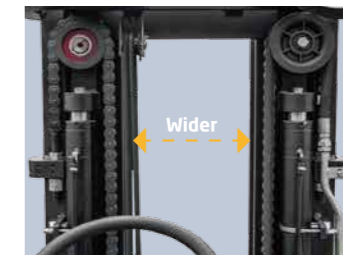


The extra foot space is provided to reduce operator fatigue significantly. The new wide-open, non-slip step makes getting in and out easy and safe.

The optional Electro-hydraulic proportional control system contributes more sensitive and precise load handling. The easy-to-operate levers provide total load handling operation. An armrest is provided to reduce fatigue.



In addition to the soft landing system, the soft lifting system is adopted (front lifting cylinders of triplex mast and full free duplex mast), as a result, the noise and shock of the mast significantly decreases.



The developed front lifting cylinders with smaller outer diameter give the operator superior forward visibility.

The double front lifting cylinders provide better forward visibility.

In developing the new XF Series, comfort and ease of operation is carefully considered, for example, to improve vibration levels, compound engine damper and full floating power train are adopted. Comfortable operating environments for operator also contribute to increased productivity.



In addition to rubber damper between frames and steering axle, compound engine damper and full floating power train achieve flexible connection between frames and driving system, as a result, traveling vibrations and vibrations from the driving system are significantly reduced.



The enlarged capacity of optimized exhaust muffler, the intake muffler and the noise shield technologies provide significantly lower noise levels.

1. The new, relocated easy-to-see LCD meter lets the operator check on all aspects of operational status at a glance.
2. The new automobile-style light/turn-signal lever and forward-reverse lever are ergonomically designed and arranged to improve comfort and productivity.
3. The small diameter steering wheel with tilt adjustment provides the ideal operating position. The superior responsiveness of the steering wheel optimizes maneuverability even in narrow spaces.
4. The parking brake is specially developed. The operational force is reduced by 30%.
5. The automobile-style suspended pedals provide more ergonomic operation.



↓ 15mm

3

2

4

1

5

Safety

A wide range of technologies are applied to ensure absolute safety for both the operator and those in the surrounding.

An optional rear-pillar assist grip with a horn button enhances safety of operator while traveling in reverse.

The locking device of the engine hood damper and parking brake help add to safety.



1. The operator presence sensing system incorporates lifting / tilting and traveling locking function, when the operator leaves the seat, the system automatically locks lifting / tilting and disables traveling to ensure safety.
2. A throttling device is adopted to avoid the mast being out of control even some pipes are broken.

Easy Maintenance

Careful design facilitates inspection and servicing. Easy maintenance reduces the amount of downtime and helps to reduce cost also.



The new vehicle controller integrates all electrical components, features excellent durability for temperature, water and vibration for most demanding operation.



CUMMINS engine use the special air filter, it can reduce air intake resistance dramatically, equipped with pressure alarm to master the maintaining time.



The cover on the Panel can be lifted up simply to check the brake fluid.

The easy-to-operate latch provides quick access to the engine compartment.

The two-piece design makes the floorboard easy to lift and remove for access to the power train.

The fasteners of the radiator cover can be turned easily by hand to enable quick inspections or servicing.

Standards

Transmission	Steering	Chassis	Control	Hydraulic
<ul style="list-style-type: none"> / Suspension transmission / Oil filter / Dipstick / Oil cooler / Non-asbestos brake 	<ul style="list-style-type: none"> / Full hydraulic power steering / Smaller diameter steering wheel / Adjuster of steering wheel 	<ul style="list-style-type: none"> / Anti-slip pedal / Rubber pedal / Engine hood spring 	<ul style="list-style-type: none"> / Power steering / Suspension pedal / Integrated combination switch / Cable parking brake 	<ul style="list-style-type: none"> / Dynamic load sensing control valve (Diesel IC) / Hydraulic oil filter / Tilt cylinder self-lock valve / Hydraulic oil dipstick / Dual pump

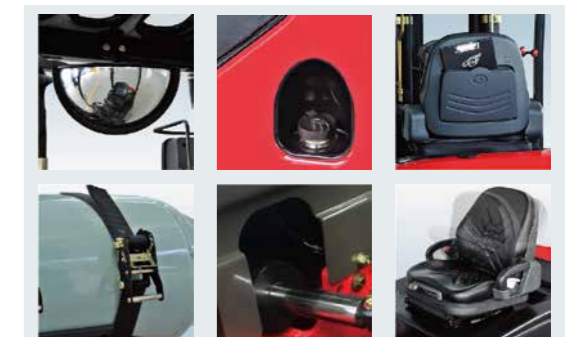
Truck	Electronics	Mast
<ul style="list-style-type: none"> / Traction device / Hand grip / Standard seat / Standard overhead guard / Waterproof cover on the guard / Back view mirror / Pneumatic tyres / Toolbox 	<ul style="list-style-type: none"> / Counterweight net / Fan protector / Big capacity aluminum radiator / Whirlwind air cleaner / Safety filter / High-efficient intake muffler / High-efficient exhaust muffler / Upright exhaust pipe 	<ul style="list-style-type: none"> / High-efficient front lights / High-efficient LED rear lights / Maintenance-free battery / Combination controller / LCD display / Neutral switch / Hour meter / Fuel gauge

Options

Truck	Transmission	Power	Hydraulic	Electronics	Mast
<ul style="list-style-type: none"> / Cabin / Cabin heater / Front window / Super elastic tyre / Non-mark tyre(white/green) / Suspension seat / Extinguisher / Cover of tilt cylinder / Heightening overhead guard / Reversing assist grip / Customer painting / OPS(Operator Presence Sensing system) / Boot for tilt cylinder / Additional counterweight 	<ul style="list-style-type: none"> / Dual driving tyre / Solid tyre / Japanese drum brake 	<ul style="list-style-type: none"> / Dual fuel LPG system / Big capacity copper radiator / Upright exhaust system / Middle-positioned exhaust system / Dual air filter / Net cover of radiator / Sparkle arrester / Purified exhaust system / Swivel LPG bottle support / Downward LPG bottle support 	<ul style="list-style-type: none"> / Auxiliary hydraulic valve / Electro-hydraulic proportional control system / Return oil filter 	<ul style="list-style-type: none"> / OBD / Front working light / Rear working light / Warning lamp / Speed meter / Over-speed alarm / LED working light 	<ul style="list-style-type: none"> / Duplex wide view free-lift mast / Triplex wide view free-lift mast / Triplex wide view 4-cylinder free-lift mast / Special forks / Wider fork carriage / Widerload back rest

Optional Attachments

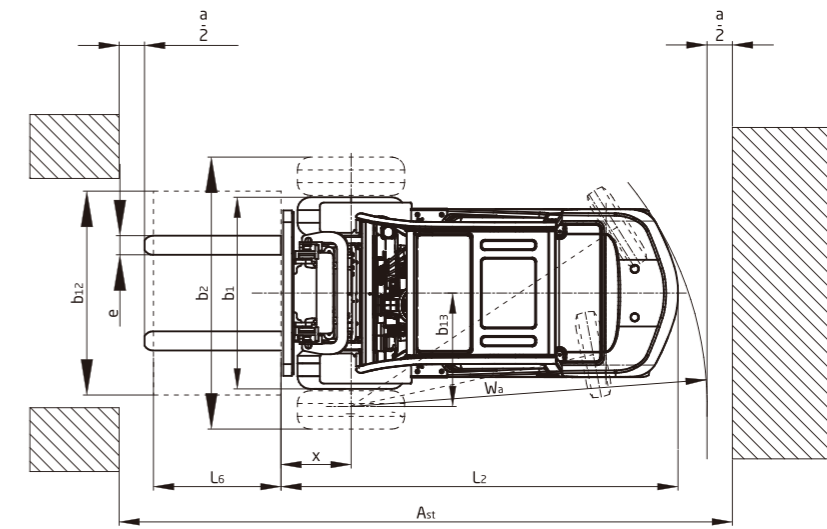
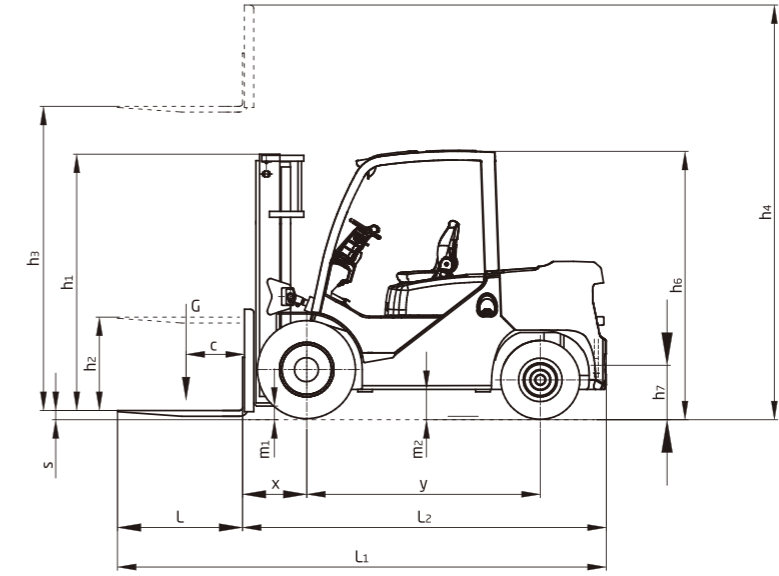
- / Paper roll clamp
- / Rotating bale clamp
- / Load stabilizer
- / Multi-drum clamp
- / Bale clamp
- / Drum clamp
- / Dumping clamp
- / Crane arm
- / String Pole
- / Sideshifter
- / Rotating forks
- / Fork extensioner
- / Load release device
- / Carton clamp
- / Push-pull device
- / Bucket
- / Hook
- / Lengthened fork



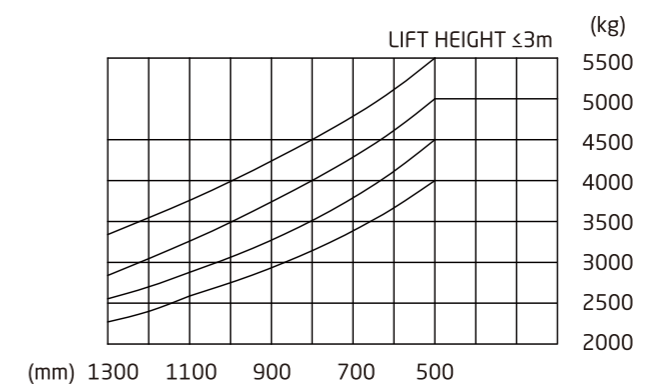
4.0~4.5t XF series mast: (pneumatic)

Type	Model	Max. fork height	Overall height				Free lift			Tilt range		Capacity			
			Lowered	Extended		Without backrest	With backrest	Front Overhang	FWD	BWD	Load capacity at 500mm				
				Without backrest	With backrest						Single tire		Dual tire		
											4.0t	4.5t	4.0t	4.5t	
mm	mm	mm	mm	mm	mm	(°)	(°)	kg	kg	kg	kg				
Wide view mast	X45M250	2500	1995	3330	3670	160	160	550	6	12	4000	4500	4000	4500	
	X45M270	2700	2095	3530	3870	160	160	550	6	12	4000	4500	4000	4500	
	X45M300	3000	2245	3830	4170	160	160	550	6	12	4000	4500	4000	4500	
	X45M330	3300	2395	4130	4470	160	160	550	6	12	4000	4500	4000	4500	
	X45M350	3500	2495	4330	4670	160	160	550	6	12	4000	4500	4000	4500	
	X45M360	3600	2545	4430	4770	160	160	550	6	12	4000	4500	4000	4500	
	X45M370	3700	2595	4530	4870	160	160	550	6	12	3850	4350	4000	4500	
	X45M380	3800	2645	4630	4970	160	160	550	6	12	3850	4350	4000	4500	
	X45M400	4000	2795	4830	5170	160	160	550	6	12	3800	4250	4000	4500	
	X45M430	4300	2960	5130	5470	160	160	550	6	6	3600	4000	3800	4250	
	X45M450	4500	3070	5330	5670	160	160	550	6	6	3400	3800	3600	4050	
	X45M480	4800	3235	5630	5970	160	160	550	6	6	3000	3350	3200	3600	
	X45M500	5000	3345	5830	6170	160	160	550	6	6	2800	3150	3000	3400	
	X45M550	5500	3620	6330	6670	160	160	550	3	6	2250	2550	2800	3100	
X45M600	6000	3895	6830	7170	160	160	550	3	6	1700	1950	2600	2800		
Wide view full free duplex mast	X45U250	2500	1976	3365	3670	1114	809	557	6	12	4000	4500	4000	4500	
	X45U275	2750	2100	3615	3920	1238	933	557	6	12	4000	4500	4000	4500	
	X45U300	3000	2226	3865	4170	1364	1055	557	6	12	4000	4500	4000	4500	
	X45U330	3300	2376	4165	4470	1514	1205	557	6	12	4000	4500	4000	4500	
	X45U350	3500	2476	4365	4670	1614	1309	557	6	12	4000	4500	4000	4500	
	X45U360	3600	2526	4465	4770	1664	1359	557	6	12	4000	4500	4000	4500	
	X45U370	3700	2576	4565	4870	1714	1409	557	6	12	3850	4350	4000	4500	
Wide view full free triplex mast	X45N400	4000	2080	4850	5170	1229	912	603	6	6	3600	4000	4000	4500	
	X45N430	4300	2180	5155	5470	1329	1012	603	6	6	3400	3800	3600	4050	
	X45N450	4500	2248	5365	5685	1395	1080	603	6	6	3200	3600	3400	3850	
	X45N470	4700	2310	5550	5870	1459	1142	603	6	6	3000	3350	3200	3600	
	X45N480	4800	2340	5650	5970	1489	1172	603	6	6	3000	3350	3200	3600	
	X45N500	5000	2410	5855	6170	1559	1242	603	6	6	2800	3150	3000	3400	
	X45N550	5500	2575	6355	6670	1724	1408	603	3	6	2250	2550	2800	3100	
	X45N600	6000	2790	6855	7180	1939	1622	603	3	6	1700	1950	2600	2800	
	X45N650	6500	2980	7365	7680	2129	1812	603	3	6	/	/	2400	2500	
	X45N700	7000	3155	7860	8175	2304	1988	603	3	6	/	/	2000	2200	

With sideshifter minus 200kg, with integral sideshifter minus 100kg.



$A_{st} = W_a + x + L_6 + a; a = 200$
 applies only if $\frac{b_{12}}{2} \leq b_{13}$



5.0~5.5t XF series mast: (pneumatic)

Type	Model	Max. fork height	Overall height						Free lift				Tilt range		Capacity					
			Lowered	Extended		Without backrest	With backrest	Without backrest	With backrest	Front Overhang	FWD	BWD	Load capacity at 500mm							
				5.0t	5.5t								5.0t	5.5t	Single tire		Dual tire			
															5.0t	5.5t	5.0t	5.5t	5.0t	5.5t
mm	mm	mm	mm	mm	mm	mm	mm	mm	mm	(°)	(°)	kg	kg	kg	kg					
Wide view mast	XX50/XX55M250	2500	1995	2245	3330	3580	3870	3900	160	170	160	170	555	585	6	12	5000	5500	5000	5500
	XX50/XX55M270	2700	2095	2345	3530	3780	4070	4100	160	170	160	170	555	585	6	12	5000	5500	5000	5500
	XX50/XX55M300	3000	2245	2495	3830	4080	4370	4400	160	170	160	170	555	585	6	12	5000	5500	5000	5500
	XX50/XX55M330	3300	2395	2645	4130	4380	4670	4700	160	170	160	170	555	585	6	12	5000	5500	5000	5500
	XX50/XX55M350	3500	2495	2745	4330	4580	4870	4900	160	170	160	170	555	585	6	12	5000	5500	5000	5500
	XX50/XX55M360	3600	2545	2795	4430	4680	4970	5000	160	170	160	170	555	585	6	12	5000	5500	5000	5500
	XX50/XX55M370	3700	2595	2845	4530	4780	5070	5100	160	170	160	170	555	585	6	12	4800	5300	5000	5500
	XX50/XX55M380	3800	2645	2895	4630	4880	5170	5200	160	170	160	170	555	585	6	12	4850	5300	5000	5500
	XX50/XX55M400	4000	2795	2995	4830	5080	5370	5400	160	170	160	170	555	585	6	12	4750	5250	5000	5500
	XX50/XX55M430	4300	2960	3145	5130	5380	5670	5700	160	170	160	170	555	585	6	6	4500	5000	4750	5250
	XX50/XX55M450	4500	3070	3245	5330	5580	5870	5900	160	170	160	170	555	585	6	6	4250	4700	4500	4950
	XX50/XX55M480	4800	3235	3445	5630	5880	6170	6200	160	170	160	170	555	585	6	6	3750	4150	4000	4400
	XX50/XX55M500	5000	3345	3560	5830	6080	6370	6400	160	170	160	170	555	585	6	6	3500	3850	3750	4100
	XX50/XX55M550	5500	3620	3820	6330	6580	6870	6900	160	170	160	170	555	585	3	6	2850	3150	3350	3700
XX50/XX55M600	6000	3895	4085	6830	7080	7370	7400	160	170	160	170	555	585	3	6	2200	2450	2950	3250	
Wide view full free duplex mast	XX50/XX55U250	2500	1976	2226	3365	3615	3865	3900	1114	829	570	610	610	610	6	12	5000	5500	5000	5500
	XX50/XX55U275	2750	2100	2350	3615	3865	4115	4150	1238	933	570	610	610	610	6	12	5000	5500	5000	5500
	XX50/XX55U300	3000	2226	2476	3865	4115	4365	4400	1364	1079	570	610	610	610	6	12	5000	5500	5000	5500
	XX50/XX55U330	3300	2376	2626	4165	4415	4665	4700	1514	1229	570	610	610	610	6	12	5000	5500	5000	5500
	XX50/XX55U350	3500	2476	2726	4365	4615	4865	4900	1614	1329	570	610	610	610	6	12	5000	5500	5000	5500
	XX50/XX55U360	3600	2526	2776	4465	4715	4965	5000	1664	1429	570	610	610	610	6	12	5000	5500	5000	5500
	XX50/XX55U370	3700	2576	2826	4565	4815	5065	5100	1714	1529	570	610	610	610	6	12	4800	5300	5000	5500
Wide view full free triplex mast	XX50/XX55N400	4000	2080	2305	4860	5110	5365	5400	1222	1195	715	910	615	645	6	6	4500	5000	4750	5250
	XX50/XX55N430	4300	2180	2405	5160	5410	5665	5700	1322	1295	815	1010	615	645	6	6	4250	4700	4500	4950
	XX50/XX55N450	4500	2248	2470	5370	5610	5880	5900	1390	1360	883	1075	615	645	6	6	4000	4400	4250	4650
	XX50/XX55N470	4700	2310	2535	5560	5810	6070	6100	1452	1425	945	1140	615	645	6	6	3750	4150	4000	4400
	XX50/XX55N480	4800	2340	2570	5660	5910	6170	6200	1482	1460	975	1175	615	645	6	6	3750	4150	4000	4400
	XX50/XX55N500	5000	2410	2635	5860	6110	6370	6400	1552	1525	1045	1240	615	645	6	6	3500	3850	3750	4100
	XX50/XX55N550	5500	2575	2805	6360	6610	6870	6900	1718	1695	1210	1410	615	645	3	6	2850	3150	3350	3700
	XX50/XX55N600	6000	2790	3020	6870	7110	7380	7400	1932	1910	1425	1625	615	645	3	6	2200	2450	2950	3250
	XX50/XX55N650	6500	2980	3200	7370	7610	7880	7900	2123	2090	1615	1805	615	645	3	6	/	/	2650	2900
	XX50/XX55N700	7000	3155	3375	7865	8110	8375	8400	2298	2265	1790	1980	615	645	3	6	/	/	2350	2550

With sideshifter minus 200kg, with integral sideshifter minus 100kg.